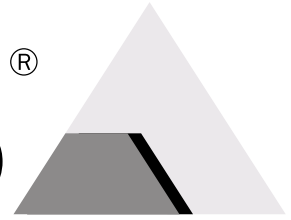


**MOOG**

Widealarm for

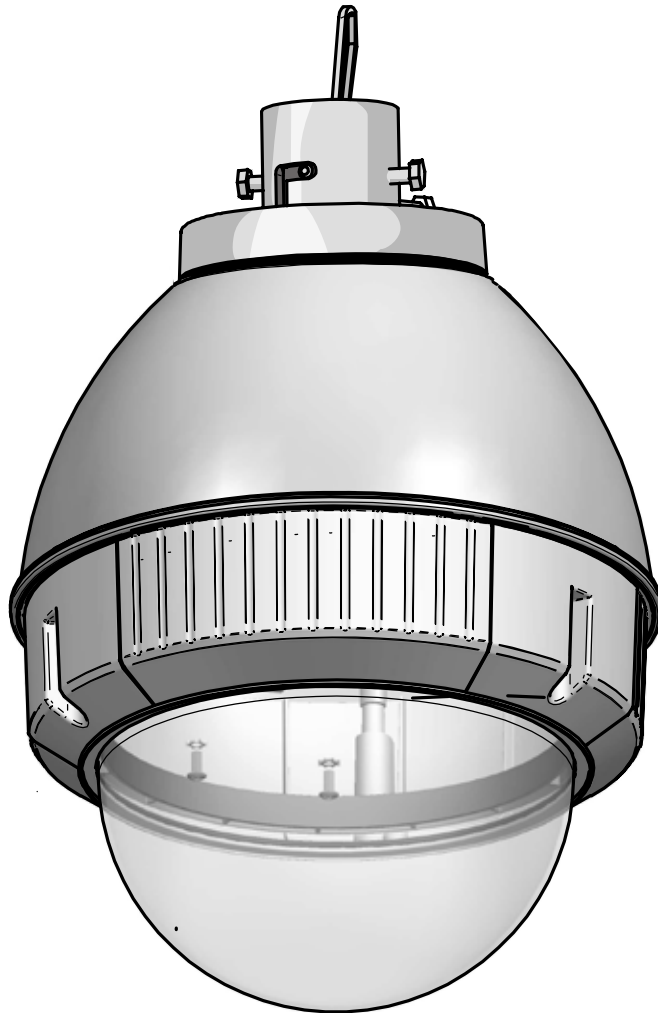
**AXIS**<sup>®</sup>  
COMMUNICATIONS



**PRODUCT INSTRUCTIONS**

MODEL:

25733, 25735, 35541, & 35540



Before attempting to connect or operate this product,  
please read these instructions completely.

81-IN6221R3



## Electrical Specifications

Power 24VAC  
Class 2 Only

Clear **25733, 25735**  
Tinted **35541, 35540**

24 VAC  
3.7 Amps  
89 Watts



English

Accessories: Heater: 50 Watts/Blower: 2 Watt  
Camera Power: Up to 37 Watts  
Tools Required: .100" Flat Head Screwdriver  
Phillips Head Screwdriver

**Note:** 25735 includes no accessories

24 VAC  
3.7 amperios  
89 vatios



Español

Accesorios: Calentador: 50 Watts/Blower: 2 vatios  
Energía De la Cámara fotográfica: Up to 37 vatios  
Las Herramientas Requerieron: Destornillador Principal Plano Del 100"  
Destornillador Principal Phillips

**Nota:** 25735 no incluye ningún accesorio

24 VCA  
3.7 ampères  
89 watts



Français

Accessoires : Réchauffeur : 50 Watts/Blower : 2 watt  
Puissance D'Appareil-photo : Up to 37 watts  
Les Outils besoin : Tournevis Principal Plat De 100"  
Tournevis Principal Phillips

**Note :** 25735 n'inclut aucun accessoire

24 VAC  
3.7 Ampere  
89 Watt



Deutsch

Zusatzgeräte: Heizung: 50 Watts/Blower: 2 Watt  
Kamera-Energie: Up to 37 Watt  
Werkzeuge Erforderten: 100"Flacher Hauptschraubenzieher  
Kreuzkopfhauptschraubenzieher

**Anmerkung:** 25735 schließt keine Zusatzgeräte mit ein

24 VAC  
3.7 ampères  
89 watts



Portuguese

Acessórios: Calefator: 50 Watts/Blower: 2 watt  
Poder Da Câmera: Up to 37 watt  
As Ferramentas Requereram: Chave de fenda Principal Lisa Do 100"  
Chave de fenda Principal Phillips

**Nota:** 25735 não inclui nenhum acessório

24 VAC  
3.7 ampère  
89 watt



Italiano

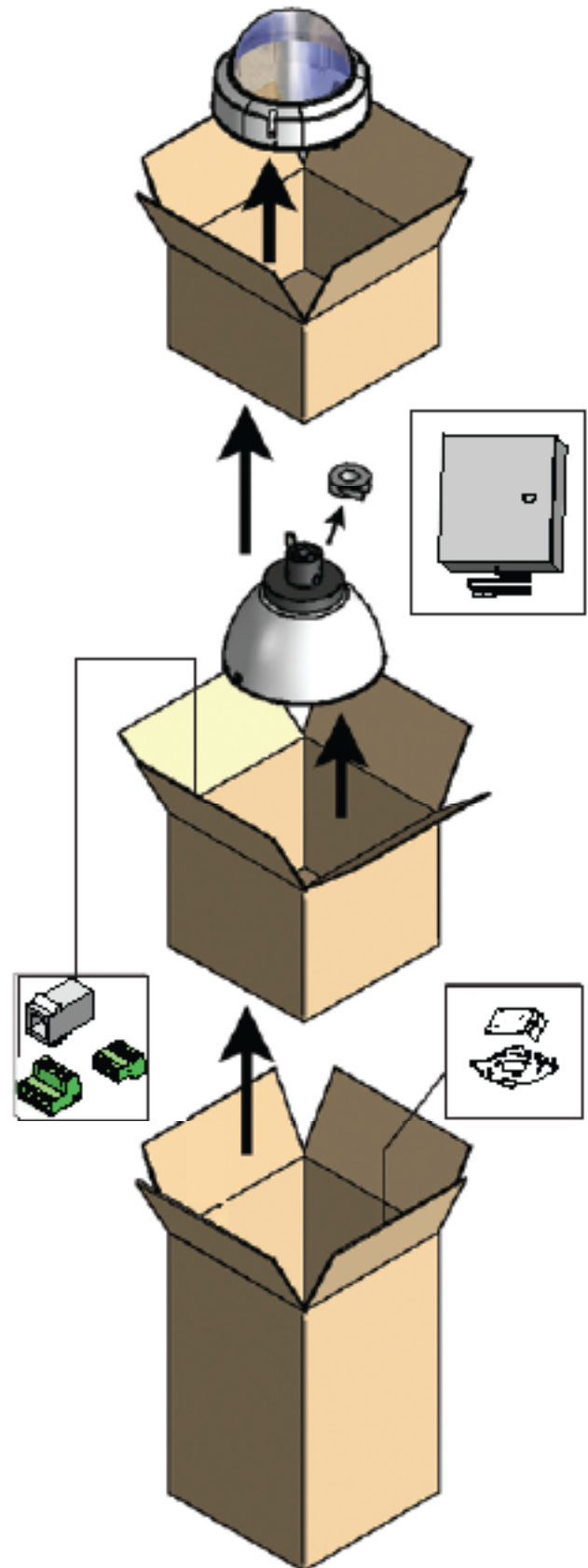
Accessori: Riscaldatore: 50 Watts/Blower: 2 watt  
Alimentazione Della Macchina fotografica: Up to 37 watt  
Attrezzi Richiesti: Cacciavite Capo Piano Del 100"  
Cacciavite Capo "phillips"

**Nota:** 25735 non include accessori

### 25735 (INDOOR ONLY)

- 24 VAC  
No power options provided.  
Power required for camera only.
- 24 VAC  
Ningunas opciones de la energía proporcionaron.  
Energía requerida para la cámara fotográfica solamente.
- 24 VCA  
Option de puissance n'a pas fourni.  
Puissance requise pour l'appareil-photo seulement.
- 24 VAC  
Keine Energie Wahlen stellen zur Verfügung.  
Energie erfordert für nur Kamera.
- 24 VAC  
Nenhumas opções do poder fornecidas.  
Poder requerido para a câmera somente.
- 24 VAC  
Nessun'opzione di alimentazione ha fornito.  
Alimentazione richiesta per la macchina fotografica soltanto.

## Contents of Box



## IMPORTANT SAFEGUARDS

1. Read Instructions - All the safety and operating instructions should be read before the unit is operated.
2. Retain Instructions - The safety and operating instructions should be retained for future reference.
3. Heed Warnings - All warnings on the unit and in the operating instructions should be adhered to.
4. Follow Instructions - All operating and user instructions should be followed.
5. Electrical Connections - Only a qualified electrician should make electrical connections.
6. Attachments - Do not use attachments not recommended by the product manufacturer as they may cause hazards.
7. Cable Runs - All cable runs must be within permissible distance.
8. Mounting - This unit must be properly and securely mounted to a supporting structure capable of sustaining the weight of the unit. Accordingly:
  - a. The installation should be made by a qualified installer.
  - b. The installation should be in compliance with local codes.
  - c. Care should be exercised to select suitable hardware to install the unit, taking into account both the composition of the mounting surface and the weight of the unit. Be sure to periodically examine the unit and the supporting structure to make sure that the integrity of the installation is intact. Failure to comply with the foregoing could result in the unit separating from the support structure and falling, with resultant damages or injury to anyone or anything struck by the falling unit.

## DOME/HOUSING/ELECTRICAL COMPONENT

### WARRANTY INFORMATION

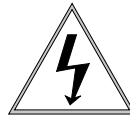
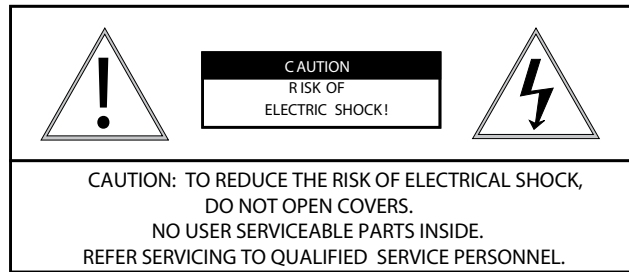
Axis, Incorporated warrants that its domes and housing sold here under shall be fit for the ordinary purpose for which said products are intended and shall be free from defects in material and workmanship for a period of three years from date of sale to buyer. Note that all electrical components will be warranted for a period of three years from date of sale to buyer. Axis makes no other warranty of any kind with respect to this product, whether expressed or implied, including, without limitation, the implied warranty of fitness for a particular purpose.

In the event of a breach of the above warranty, Axis shall, at its option, repair or replace said product. This is Axis's sole obligation under this warranty. In no event shall Axis be liable for any incidental or consequential damages, as defined in section 2-715 of the Uniform Commercial Code by a breach of this warranty.

Axis shall repair or replace defective products upon shipment of products returned prepaid to Axis.

Repairs made necessary by reason of accident, misuse or normal wear shall be charged at Axis's standard rate. This warranty gives you specific legal rights, and you may also have other rights which vary from state to state.

## SAFETY PRECAUTIONS



The lightning flash with an arrowhead symbol, with in an equilateral triangle, is intended to alert the user to the presence of non-insulated "dangerous voltage" within the product's enclosure that may be of sufficient magnitude to constitute a risk of electric shock to persons.



The exclamation point with in an equilateral triangle is intended to alert the user to presence of important operating and maintenance (servicing) instructions in the literature accompanying the appliance.

## UNPACKING

Unpack carefully. Electronic components can be damaged if improperly handled or dropped. If an item appears to have been damaged in shipment, replace it properly in its carton and notify the shipper.

Be sure to save:

1. The shipping carton and packaging material. They are the safest material in which to make future shipments of the equipment.
2. These Installation and Operating Instructions.

## SERVICE

If the unit ever needs repair service, the customer should contact Axis (1-800-444-2947) for authorization to return and shipping instructions.

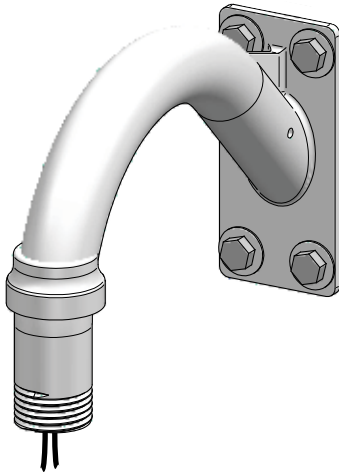
## TECHNICAL SUPPORT

If technical support is needed, Axis has set-up a technical support line for their customers.

**AXIS TECHNICAL SUPPORT**

**1-800- 444-2947**

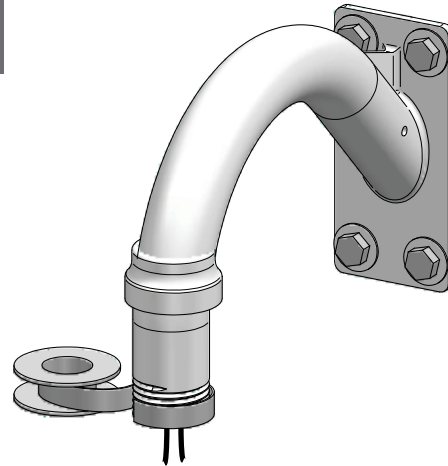
1



**Securely mount bracket to wall. Pull wiring through bracket and position grommet as shown.**

- Con seguridad soporte del montaje a emparedar. Tire del cableado a través del soporte y del ojal de la posición según lo demostrado.
- Solidement parenthèse de bâti à murer. Tirez le câblage par la parenthèse et le canon isolant de position comme montré.
- Sicher Einfassung Haltewinkel wall. Ziehen Sie Verdrahtung durch Haltewinkel und Position Gummimuffe, wie gezeigt.
- Firmemente suporte da montagem a wall. Puxe a fiação através do suporte e do ilhó da posição como mostrado.
- Saldamente staffa del supporto da wall. Tiri i collegamenti tramite la staffa ed il gommino di protezione di posizione come indicato.

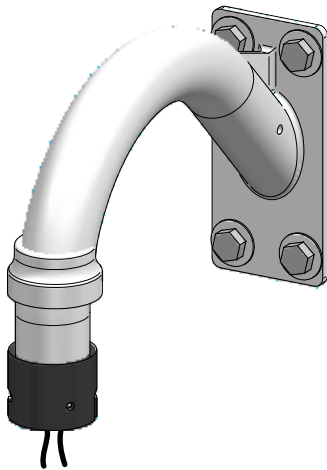
2



**Wrap Teflon™ tape around the pipe threads to ensure a tight seal.**

- La cinta del Teflon del abrigo alrededor de la pipa rosca para asegurar un sello apretado.
- La bande de teflon d'enveloppe autour de la pipe fileté pour assurer un joint serré.
- Verpackung Teflonklebeband um das Rohr verlegt, um eine feste Dichtung sicherzustellen.
- A fita adesiva do Teflon do envoltório em torno da tubulação enfia para assegurar um selo apertado.
- Il nastro del Teflon dell'involucro intorno al tubo filetta per accertare una guarnizione stretta.

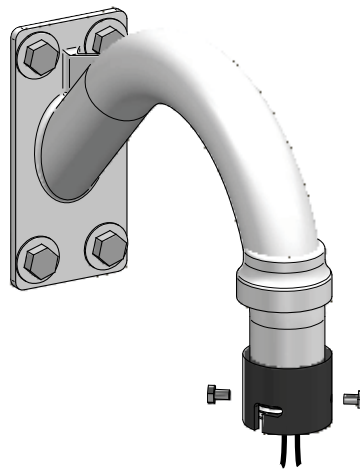
3



**Screw the coupling onto the pipe threads until it is hand tight.**

- Atornille el acoplador sobre los hilos de rosca de la pipa hasta que es mano firmemente.
- Vissez le couplage sur les fils de pipe jusqu'à ce que ce soit main fortement.
- Schrauben Sie die Koppelung auf die Rohrgewinde, bis es Hand fest ist.
- Parafuse o acoplamento nas linhas da tubulação até que esteja mão firmemente.
- Avviti l'accoppiamento sui filetti del tubo fino a che non sia fortemente mano.

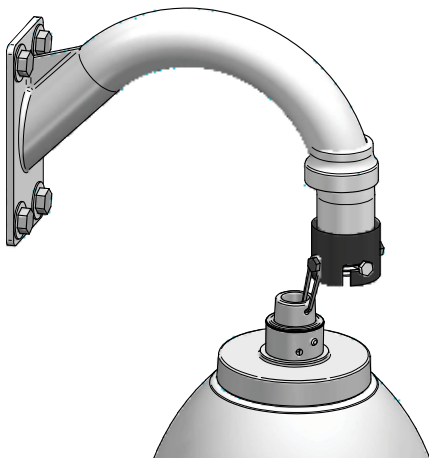
4



**Screw the (2) bolts into the coupling.**

- Atornille (2) los pernos en el acoplador.
- Vissez (2) les boulons dans l'accouplement.
- Schrauben Sie die (2) Schraubbolzen in die Koppelung.
- Parafuse (2) os parafusos no acoplamento.
- Avviti (2) i bulloni nell'accoppiamento.

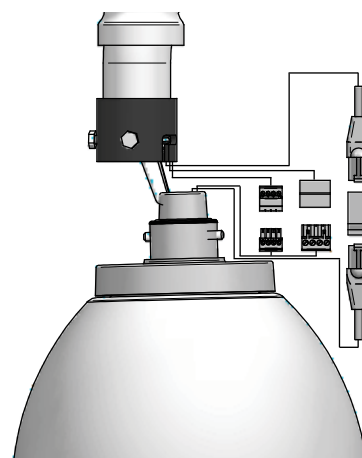
5



**Loop the lanyard over the set screw to temporarily hold housing.**

- Coloque el acollador sobre el tornillo de presión para celebrar temporalmente la cubierta.
- Faites une boucle la lanière au-dessus de la vis de réglage pour tenir temporairement le logement.
- Schlingen Sie die Abzuglinie über der Klemmschraube, um Gehäuse vorübergehend zu halten.
- Dê laços no colhedor sobre o parafuso de fixação para prender temporariamente a carcaça.
- Colleghi la cordicella in circuito sopra la vite di arresto temporaneamente per tenere l'alloggiamento.

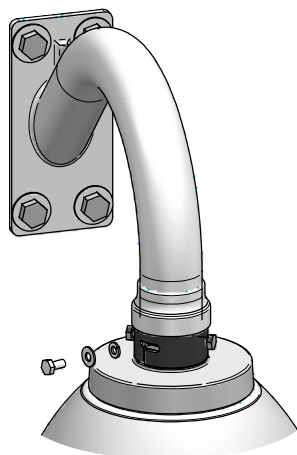
6



**Make the appropriate wiring connections from the dome to the pendant.**

- Hacer las conexiones de cableado de la cúpula de la pendiente.
- Faites le câblage de la coupole de la suspension.
- Nehmen Sie die entsprechenden Kabel-Verbindungen von der Kuppel auf den Anhänger.
- Faça as conexões de cabos da cúpula para o pingente.
- Apportare le opportune connessioni cablaggio dalla cupola a ciendolo.

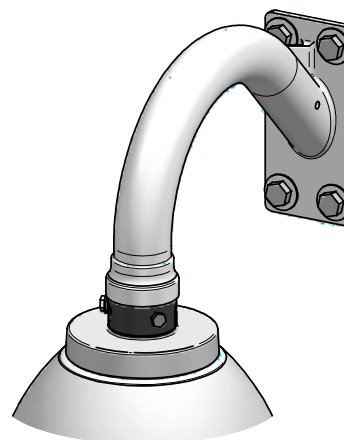
7



**Undo the lanyard, pull housing up and twist secure with the locking bolt and washers.**

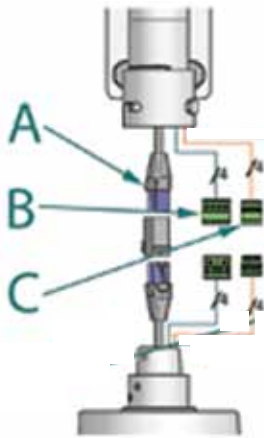
- Deshaga el acollador, tire de contener para arriba y tuerza seguro con el perno y las arandelas de fijación.
- Défaites la lanière, tirez loger vers le haut et tordez bloqué avec le boulon et les rondelles de fermeture.
- Annulieren Sie die Abzuglinie, ziehen Sie oben unterbringen und verdrehen Sie sicheres mit dem verriegelnschraubbolzen und den Unterlegscheiben.
- Undo o colhedor, puxe abrigar acima e torça seguro com o parafuso e as arruelas travando.
- Undo la cordicella, tiri l'alloggio in su e torca sicuro con il bullone e le rondelle di bloccaggio.

8



**Slide the grommet down over the coupling to prevent water from entering and complete the assembly.**

- Resbale el ojal abajo sobre el acoplador para evitar que el agua entre y para terminar a la asamblea.
- Glissez le canon isolant vers le bas au-dessus de l'accouplement pour empêcher l'eau d'entrer et pour accomplir l'assemblée.
- Schieben Sie die Gummimuffe unten über der Koppelung, um zu verhindern, daß Wasser und die Versammlung durchzuführen hereinkommt.
- Deslize o ilhó para baixo sobre o acoplamento para impedir que a água entre e para terminar o conjunto.
- Faccia scorrere il gommino di protezione giù sopra l'accoppiamento per impedire l'acqua entrare e per completare il complessivo.



A  
B  
C

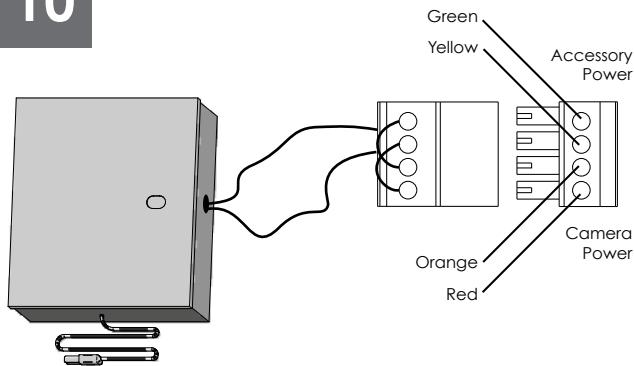
RJ45		
24VAC		POWER
1	Camera	Red
2	Camera	Orange
3	Heater/Blower	Yellow
4	Heater/Blower	Green
		25 Watts
		26 Watts

1/0		
1	Alarm 1	Blue
2	Alarm 2	Violet
3	Alarm 3	Gray
4	Common	White

**Make the appropriate male and female connections. Indoor model does not include pre-run cables.**

- Haga las conexiones masculinas y femeninas apropiadas. El modelo de interior no incluye pre-funciona los cables.
- Établissez les rapports masculins et femelles appropriés. Le modèle d'intérieur n'inclut pas pré-courant des câbles.
- Stellen Sie die passenden männlichen und weiblichen Beziehungen her. Innenmodell schließt nicht vor-laufen lassen Kabel ein.
- Faça as conexões masculinas e fêmeas apropriadas. O modelo indoor não inclui pre-funciona cabos.
- Faccia i collegamenti maschii e femminili adatti. Il modello dell'interno non include pre-fa funzionare i cavi.



**Camera = red & orange wires to terminal  
Heater/Blower = yellow & green wires to terminal**

- Cámara fotográfica = alambres rojos y anaranjados al terminal Heater/Blower = alambres del amarillo y del verde al terminal
- Appareil-photo = fils rouges et oranges à la borne Heater/Blower = fils de jaune et de vert à la borne
- Kamera = rote u. orange Leitungen zum Anschluß Heater/Blower = Gelb- u. Grünleitungen zum Anschluß
- Câmera = fios vermelhos & alaranjados ao terminal Heater/Blower = fios do amarelo e do verde ao terminal
- Macchina fotografica = legare rossi & arancioni al terminale Heater/Blower = legare di verde & di colore giallo al terminale

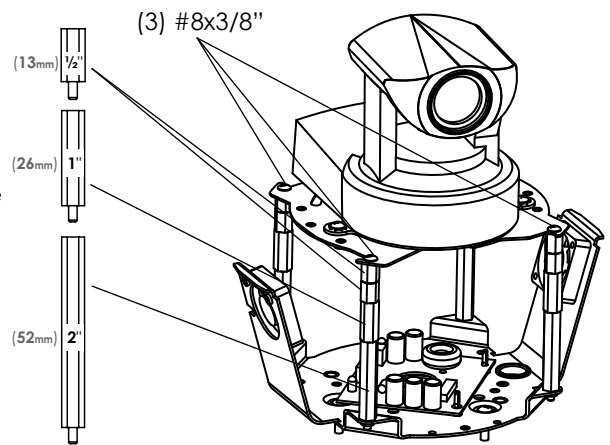
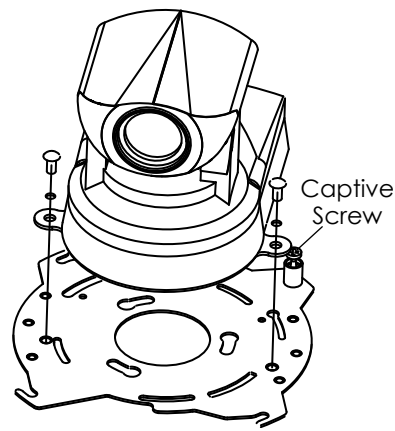
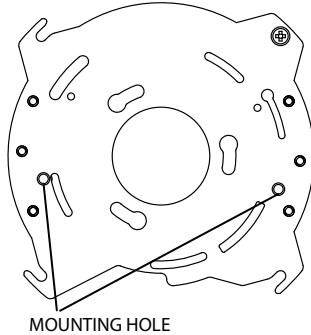
Total vA consumed	Wire Gauge							
	.5 22	.75 20	1.0 18	1.5 16	2.5 14	4 12	6 10	MM <sup>2</sup> AWG
5.5	ft	400	600	960	-	-	-	
	m	121	182	292				
10	ft	120	180	300	480	800	1300	
	m	36.5	54.9	91.4	146	243	396	
20	ft	86	141	225	358	571	905	1440
	m	27.1	43.0	68.6	109	174	275	438
30	ft	65	90	130	225	350	525	830
	m	19.8	27.4	39.6	68.6	106	160	252
40	ft	44	70	112	179	285	452	720
	m	13.4	21.3	34.1	54.6	86.9	138	219
50	ft	35	56	90	143	228	362	576
	m	10.6	17.1	27.4	43.6	69.5	110	175
60	ft	29	47	75	119	190	301	480
	m	9.4	14.3	22.9	36.2	57.9	91.7	146
70	ft	25	40	64	102	163	258	411
	m	8.8	12.2	19.5	31.1	49.7	78.6	125
80	ft	31	34	55	85	140	215	340
	m	7.6	10.3	16.8	25.9	42.7	65.5	103

**These are recommended maximum distances for 24VAC with a 10% voltage drop.**

- Éstos se recomiendan las distancias máximas para 24VAC con una caída de voltaje del 10%.
- Ceux-ci sont recommandés des distances maximum pour 24VAC avec une chute de tension de 10%.
- Diese werden maximale Abstände für 24VAC mit einem 10% Spannungsabfall empfohlen.
- Estes são recomendados distâncias máximas para 24VAC com uma queda de tensão de 10%.
- Questi sono suggeriti distanze massime per 24VAC con una differenza di potenziale di 10%.

## 12 Axis 213

### Mounting Plate

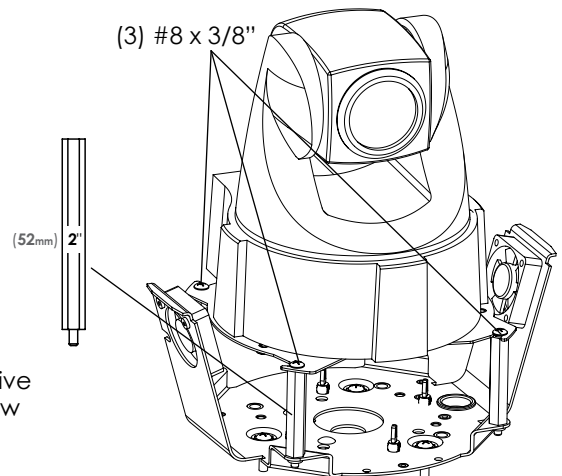
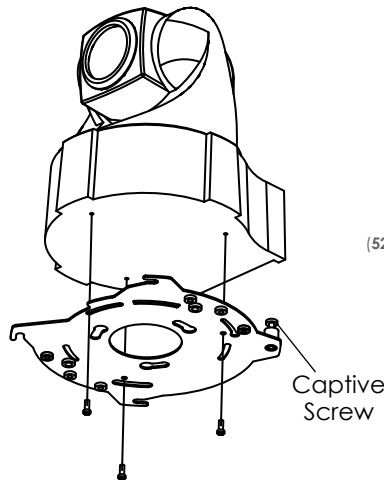
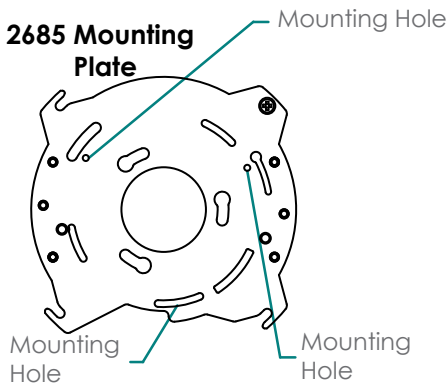


Install the camera to the mounting plate with (2) #10 screws and lock washers provided. Place (3) #8x3/8" screws on the spacers and align the mounting slots. Slide on plate and camera then secure.

- Instale la cámara fotográfica a la placa de montaje con (2) los tornillos #10 y las arandelas de cerradura proporcionadas. Coloque los tornillos de (3) del # 8x3/8" en los espaciadores y alinee las ranuras de montaje. Resbale en la placa y la cámara fotográfica entonces seguras.
- Installez l'appareil-photo sur le plat de support avec (2) les vis #10 et les rondelles de freinage fournies. Placez les vis de (3) # de 8x3/8" sur les entretoises et alignez les fentes de support. Glissez du plat et de l'appareil-photo puis bloqués.
- Bringen Sie die Kamera zur Montageplatte mit (2) den bereitgestellten Schrauben #10 und Federringen an. Setzen Sie (3) # 8x3/8" die Schrauben auf die Distanzscheiben und richten Sie die Befestigungsschlitze aus. Schieben Sie auf die sichere Platte und Kamera dann.
- Instale a câmera à placa de montagem com (2) os parafusos #10 e as arruelas de fechamento fornecidas. Coloque os parafusos de (3) # de 8x3/8" nos espaçadores e alinhe os entalhes de montagem. Deslize na placa e na câmara então seguras.
- Installi la macchina fotografica al giunto di supporto con (2) le viti #10 e le ranelle di bloccaggio fornite. Disponga le viti di 8x3/8" # di (3) sui distanziatori ed allinei le scanalature di montaggio. Faccia scorrere sulla piastra e sulla macchina fotografica allora sicure.

## 13 Axis 214

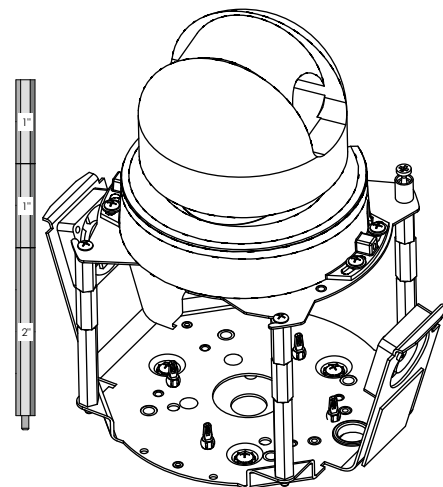
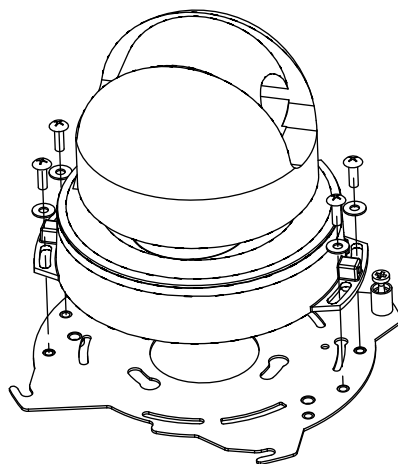
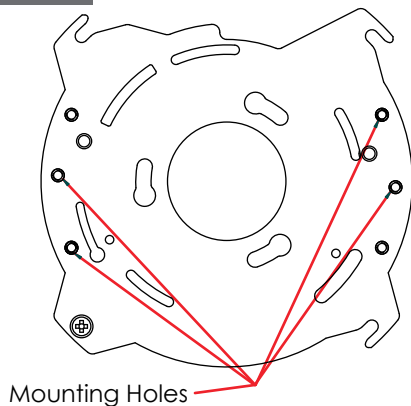
### 2685 Mounting Plate



Install the camera to the mounting plate using (3) 3mm x 12mm bolts and lock washers. Place (3) #8x3/8" screws on the spacers and line up the mounting slots. Slide plate in and secure.

- Instale la cámara fotográfica a la placa de montaje usando (3) los pernos de 3m m x de 12m m y las arandelas de cerradura. Coloque los tornillos de (3) del # 8x3/8" en los espaciadores y alinee las ranuras de montaje. Resbale la placa adentro y asegúrela.
- Installez l'appareil-photo sur le plat de support en utilisant (3) des boulons de 3mm x de 12mm et des rondelles de freinage. Placez les vis de (3) # de 8x3/8" sur les entretoises et alignez les fentes de support. Glissez le plat dedans et le fixez.
- Bringen Sie die Kamera zur Montageplatte mit (3) 3mm x 12mm den Schraubbolzen und den Federringen an. Setzen Sie (3) # 8x3/8" die Schrauben auf die Distanzscheiben und richten Sie die Befestigungsschlitze aus. Schieben Sie Platte innen und sichern Sie.
- Instale a câmera à placa de montagem usando (3) os parafusos de 3mm x de 12mm e as arruelas de fechamento. Coloque os parafusos de (3) # de 8x3/8" nos espaçadores e alinhe-os acima dos entalhes de montagem. Deslize a placa dentro e fixe-a.
- Installi la macchina fotografica al giunto di supporto usando (3) i bulloni di 12mm x di 3mm e le ranelle di bloccaggio. Disponga le viti di 8x3/8" # di (3) sui distanziatori ed allinei le scanalature di montaggio. Faccia scorrere la piastra dentro e fissi.

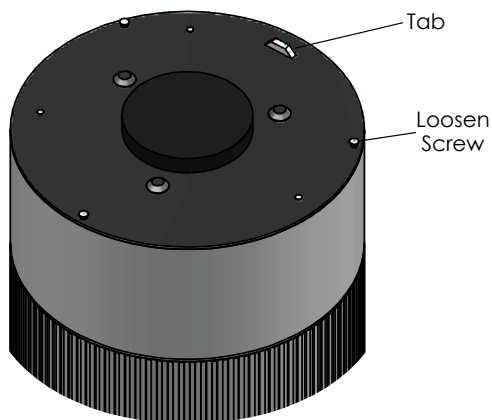
## 14 Axis 215



**Attach camera to quick release plate as shown. Use spacers to assemble (4) 3" legs. Secure camera into position.**

- Una la cámara fotográfica a la placa rápida del lanzamiento según lo demostrado. Utilice los espaciadores para montar (4) las piernas del 3". Asegure la cámara fotográfica en la posición.
- Attachez l'appareil-photo au plat rapide de dégagement comme montré. Employez les entretoises pour assembler (4) des jambes de 3". Fixez l'appareil-photo en l'place.
- Bringen Sie Kamera zur schnellen Freigabepalette an, wie gezeigt. Benutzen Sie Distanzscheiben, um (4) die 3"Beine zusammenzubauen. Sichern Sie Kamera in Position.
- Una a câmera à placa rápida da liberação como mostrada. Use espaçadores montar (4) os pés de 3". Fixe a câmera na posição.
- Fissi la macchina fotografica alla piastra rapida del rilascio come indicata. Usi i distanziatori per montare (4) i piedini di 3". Fissi la macchina fotografica nella posizione.

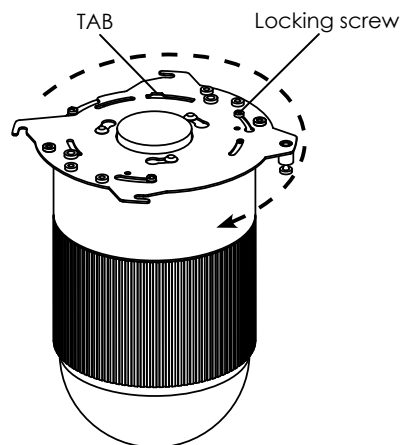
## 15 AXIS 231-232D



**Loosen the screw to the right of the tab by approximately (5) turns.**

- Afloje el tornillo a la derecha de la lengüeta aproximadamente (5) vueltas.
- Desserrez la vis à la droite de l'étiquette approximativement (5) aux tours.
- Lösen Sie die Schraube auf der rechten Seite des Vorsprunges durch ungefähr (5) Umdrehungen.
- Afrouxe o parafuso à direita da aba aproximadamente (5) por voltas.
- Allenti la vite alla destra della linguetta circa (5) dalle girate.

## 16 AXIS 231-232D

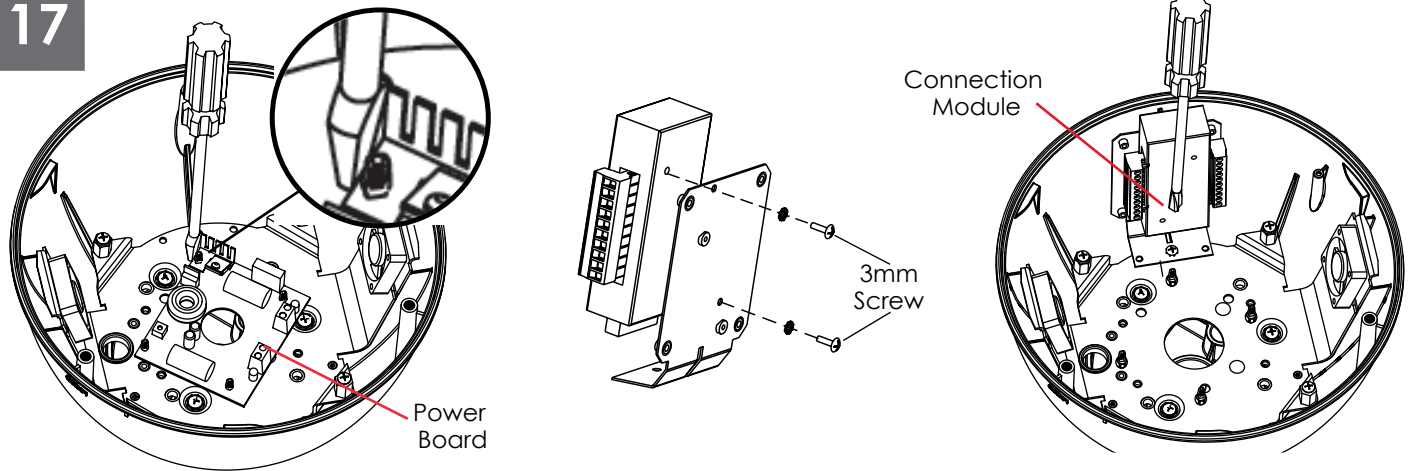


**Align mounting plate and turn counter-clockwise, secure locking screw.**

- Alinee la placa de montaje y dé vuelta a la izquierda, tornillo de fijación seguro.
- Alignez le plat de support et tournez dans le sens contraire des aiguilles d'une montre, vis de blocage bloquée.
- Richten Sie Montageplatte aus und drehen Sie nach links, sichere Sicherungsschraube.
- Alinhe a placa de montagem e gire-a no sentido anti-horário, parafuso travando seguro.
- Allinei il giunto di supporto e giri in senso antiorario, la vite di bloccaggio sicura.



17



To remove the power board, use screwdriver to release plastic fasteners by applying pressure to sides while pulling out. Attach connection module as shown. Attach this assembly to the housing using (1) 6-32x3/8" screw and star washer.

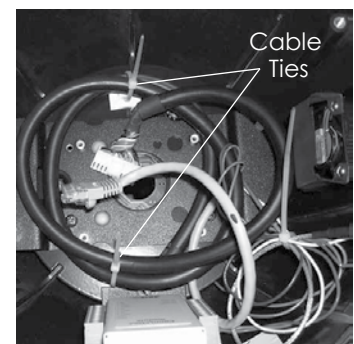
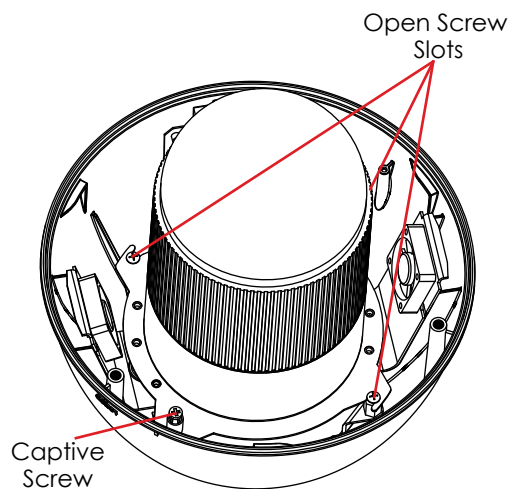
- Para quitar al tablero de energía, utilice el destornillador para lanzar los sujetadores plásticos aplicando la presión a los lados mientras se saca. Una el módulo de la conexión según lo demostrado. Una a esta asamblea a la cubierta usando (1) "arandela del tornillo 6-32x3/8 y de la estrella.
- Pour enlever carte d'alimentation, utilisez le tournevis pour libérer les attaches en plastique en s'appliquant la pression aux côtés tout en retirant. Attachez le module de raccordement comme montré. Attachez cette assemblée au logement en utilisant (1) la "vis 6-32x3/8 et tenez le premier rôle la rondelle.
- Um das Energie Brett zu entfernen, benutzen Sie Schraubenzieher um Plastikbefestiger freizugeben indem Sie anwenden Druck an den Seiten beim Ausziehen. Bringen Sie Anschlußmodul an, wie gezeigt. Bringen Sie diese Versammlung zum Gehäuse mit (1) "Schraube 6-32x3/8 und Sternunterlegscheibe an.
- Para remover a placa de poder, use a chave de fenda liberar prendedores plásticos aplicando a pressão aos lados ao retirar. Una o módulo da conexão como mostrado. Una este conjunto à carcaça usando (1) do "arruela parafuso 6-32x3/8 e da estrela.
- Per rimuovere il bordo di alimentazione, utilizi il cacciavite per liberare i fermi di plastica applicando la pressione ai lati mentre estraggono. Fissi il modulo del collegamento come indicato. Fissi questo complessivo all'alloggiamento usando (1) "rondella della vite 6-32x3/8 e della stella.

18

POWER		
1	Camera Power (24VAC)	Red
2	Camera Power (24VAC)	Orange

CONTROL  
RJ45 Ethernet Connector

ALARMS		
1	Alarm 1	Blue
2	Alarm 2	Violet
3	Alarm 3	Gray
4	Common	White

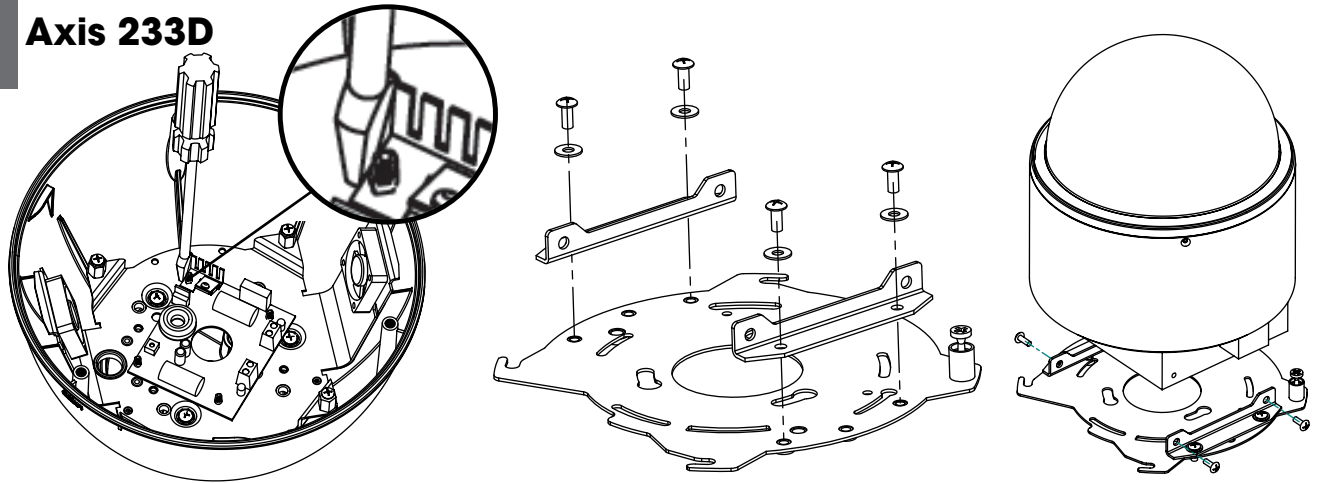


Complete the wiring to camera. Attach the camera assembly to the housing by sliding the (3) open screw slots over the screws in the housing; tighten the fasteners on the bracket.

- Termine el cableado a la cámara fotográfica. Una el montaje de la cámara fotográfica a la cubierta resbalando (3) las ranuras abiertas del tornillo sobre los tornillos en la cubierta; apriete los sujetadores en el soporte.
- Accomplissez le câblage à l'appareil-photo. Attachez l'appareil-photo au logement en glissant (3) les fentes ouvertes de vis au-dessus des vis dans le logement ; serrez les attaches sur la parenthèse.
- Führen Sie die Verdrahtung zur Kamera durch. Bringen Sie die Kamera zum Gehäuse an, indem Sie die (3) geöffneten Schraube Schlitz über den Schrauben im Gehäuse schieben; ziehen Sie die Befestiger am Haltewinkel fest.
- Termine a fiação à câmera. Una o conjunto da câmera à carcaça deslizando (3) os entalhes abertos do parafuso sobre os parafusos na carcaça; aperte os prendedores no suporte.
- Completi i collegamenti alla macchina fotografica. Fissi il complessivo della macchina fotografica all'alloggiamento facendo scorrere (3) le scanalature aperte della vite sopra le viti nell'alloggiamento; stringa i fermi sulla staffa.



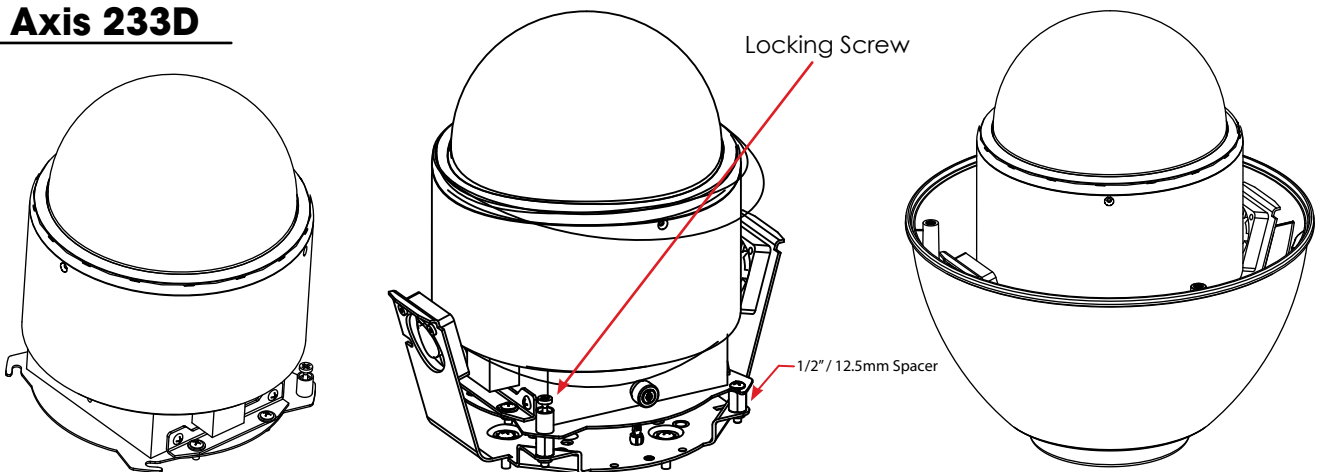
## 23 Axis 233D



**Remove power board. Use screwdriver to release plastic fasteners by applying pressure to sides while pulling out. Construct mounting bracket assembly and attach camera.**

- Quitar poder bordo. Uso de liberar screwdriver Sujetadores de plástico mediante la aplicación de presión a los lados Mientras tira. Construir soporte de montaje Asamblea y adjuntar cámara.
- Retirer pouvoir bord. Utilisez screwdriver à libérer Attaches en plastique en appliquant une pression à côtés Tout en tirant. Construire support de montage Assemblage et joindre caméra.
- Entfernen Macht. Verwenden Sie zur Freigabe screwdriver Kunststoff-Verschlüsse durch die Ausübung von Druck auf Seiten Beim Herausziehen. Construct Montagebügel Montage-und Kamera befestigen.
- Remover poder embarcar. Use screwdriver para liberação Plástico fixadores, aplicando pressão aos lados Enquanto puxando para fora. Construir montagem Braçadeira Montagem e anexar câmera.
- Rimuovere il potere bordo. Utilizzo di rilasciare screwdriver Fissaggi di plastica da applicare pressione per le parti Mentre tirando. Costruisci staffa di montaggio Assemblea e allegare fotocamera.

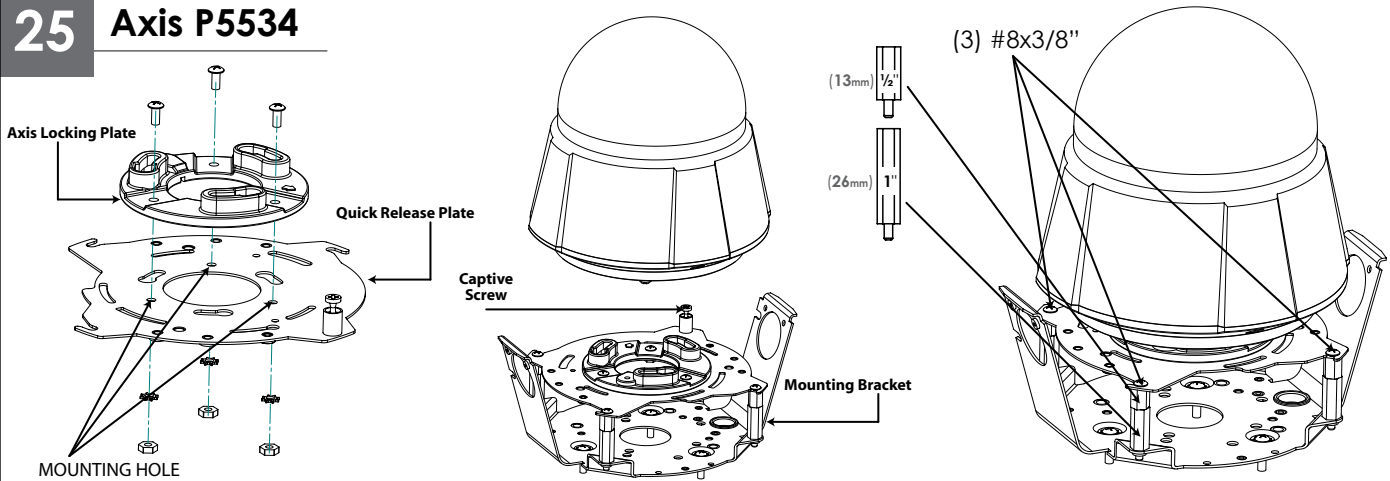
## 24 Axis 233D



**Secure quick release plate. Slide camera into position using keyhole slots. Tighten thumb screw.**

- Asegure la placa rápida del lanzamiento. Resbale la cámara fotográfica dentro de la posición usando ranuras del ojo de la cerradura. Apriete el tornillo de pulgar.
- Fixez le plat rapide de dégagement. Glissez l'appareil-photo en l'place en utilisant des fentes de trou de la serrure. Serrez la vis de pouce.
- Sichern Sie schnelle Freigabeplatte. Schieben Sie Kamera in Position mit Schlüssellochschlitzen. Ziehen Sie Rändelschraube fest.
- Fixe a placa rápida da liberação. Deslize a câmera na posição usando entalhes do buraco da fechadura. Aperte o parafuso de polegar.
- Fissi la piastra rapida del rilascio. Faccia scorrere la macchina fotografica nella posizione usando le scanalature del buco della serratura. Stringa la vite di pollice.

## 25 Axis P5534



Assemble Axis locking plate to quick release plate using (3) #8 bolts, washers and nuts. Connect the combined plates to the bracket and housing using (4) 1" and (4) 1/2" spacers and #8 bolts. Insert camera onto mounted locking plate and turn clockwise to lock in position.

- Monte la placa de fijación del eje a la placa del lanzamiento rápido usando (3) los pernos #8, las arandelas y las tuercas. Conecte las placas combinadas con el soporte y la cubierta usando (4) los espaciadores de 1" y (4) 1/2" y los pernos #8. Inserte la cámara sobre la placa de fijación montada y dé vuelta a la derecha a la cerradura en la posición.
- Assemblez le plat de verrouillage d'axe au plat de dégage rapide utilisant (3) les boulons #8, les rondelles et les écrous. Reliez les plats combinés à la parenthèse et au logement utilisant (4) les entretoises de 1" et (4) 1/2" et les boulons #8. Insérez l'appareil-photo sur le plat de verrouillage monté et tournez dans le sens des aiguilles d'une montre pour fermer à clef en position.
- Bauen Sie Verriegelungsplatte der Mittellinie zur Platte der schnellen Freigabe unter Verwendung (3) der Schraubbolzen #8, der Unterlegscheiben und der Nüsse zusammen. Schließen Sie der kombinierten Platten an den Haltewinkel und das Gehäuse unter Verwendung (4) 1" und (4) 1/2" der Distanzscheiben und der Schraubbolzen #8 an. Setzen Sie Kamera auf angebrachte Verriegelungsplatte ein und wenden Sie sich nach rechts an Verschluss in Position.
- Monte a placa de travamento da linha central à placa da liberação rápida usando (os parafusos 3) #8, as aruelas e as porcas. Conecte as placas combinadas ao suporte e à carcaça usando (4) espaçadores de 1" e (4) 1/2" e parafusos #8. Introduza a câmera na placa de travamento montada e gire-a no sentido horário para o fechamento em posição.
- Montì il piatto di chiusura di asse a usando del piatto del rilascio rapido (3) bulloni #8, rondelle e dadi. Colleghi i piatti uniti a usando dell'alloggiamento e della staffa (4) i distanziatori del 1,, e (4) 1/2,, e bulloni #8. Inserisca la macchina fotografica sul piatto di chiusura montato e giri in senso orario verso la serratura nella posizione.

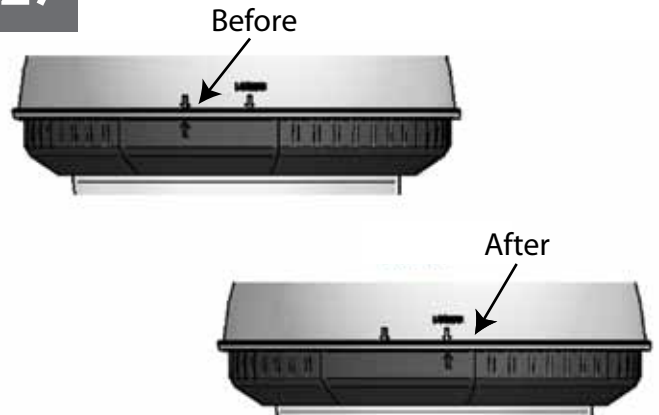
## 26



Loop the lanyard around the tab inside the housing.

- Coloque el acollador alrededor de la lengüeta dentro de la cubierta.
- Faites une boucle la lanière autour de l'étiquette à l'intérieur du logement.
- Schlingen Sie die Abzuglinie um den Vorsprung innerhalb des Gehäuses.
- Dê laços no colhedor em torno da aba dentro da carcaça.
- Colleghi la cordicella in circuito intorno alla linguetta all'interno dell'alloggiamento.

## 27



Align the arrows on the outside of the dome and lock.

- Alinee las flechas en el exterior de la bóveda y trábese.
- Alignez les flèches sur l'extérieur du dôme et fermez à clef.
- Richten Sie die Pfeile auf der Außenseite der Haube aus und verriegeln Sie sich.
- Alinhe as setas na parte externa da abóbada e trave-as.
- Allinei le frecce sulla parte esterna della cupola e blocchi.

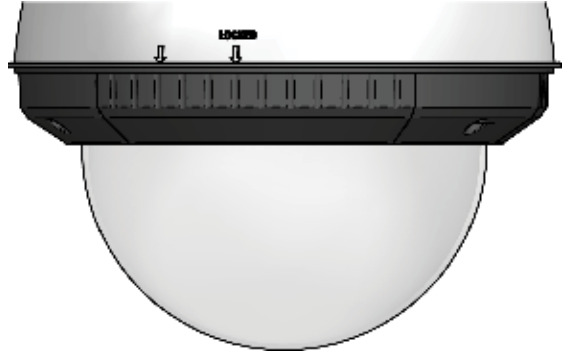
28



Fasten down the dome with a Phillips screwdriver.

- Sujete abajo de la bóveda con un destornillador Phillips.
- Attachez en bas du dôme avec un tournevis Phillips.
- Befestigen Sie sich hinunter die Haube mit einem Kreuzkopfschraubenzieher.
- Prenda abaixo a abóbada com uma chave de fenda Phillips.
- Fissisi giù la cupola con un cacciavite "phillips".

29

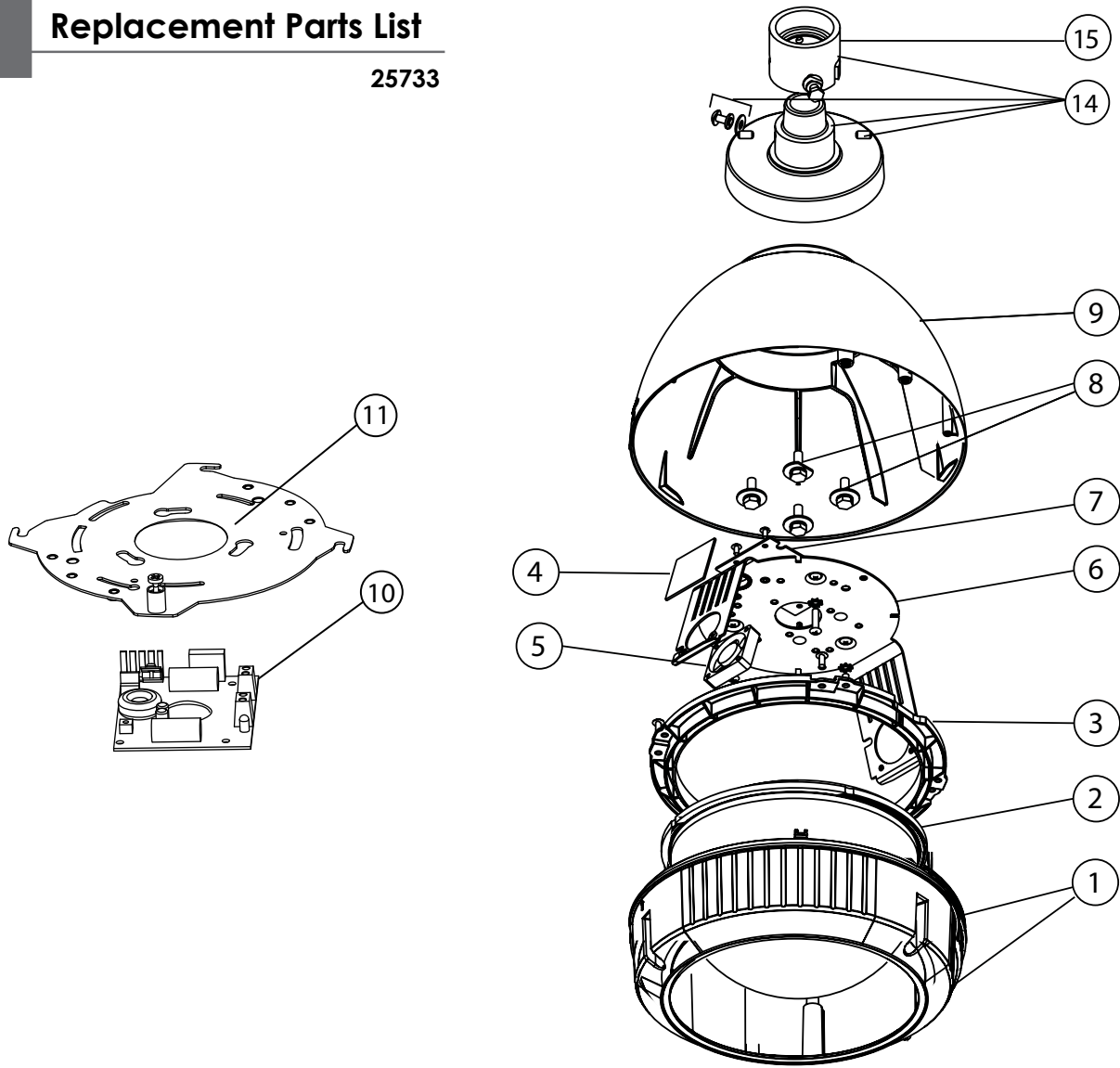


Wipe the dome clean.

- Limpie la bóveda limpia.
- Essuyez le dôme.
- Wischen Sie die Haube sauber ab.
- Limpe a abóbada limpa.
- Asciughi la cupola.

# Replacement Parts List

25733



Part Number	Description
1	RPF7501 Lower Trim Ring (Long)
2a	RCTFD7 Tinted Replacement Capsule
2b	RCFD7 Clear Replacement Capsule
3	RPF703 Dome Clamping Bracket
4	RPF072 24 Vac Heater
5	RPF080 (12 Vdc) Blower (Used In 24v Housings)
6	RPF060 Camera Bracket
7	RPRH707 Connection Pcb
8	RPF040 Housing Hardware
9	RPF709 Housing Top
10	RPNET02 Network Housing Power Board
11	RP46PKH2095 Network Camera Bracket
14	SD0160 Pendant Coupling Kit
15	SD0170 Quick Release Pipe Coupling
N/S	RP46PKH2094 Hardware Packet
N/S	RPPKE1100 Electrical Packet
N/S	RPTRAN100 120Vac-24Vac, 100VA or 96VA Transformer